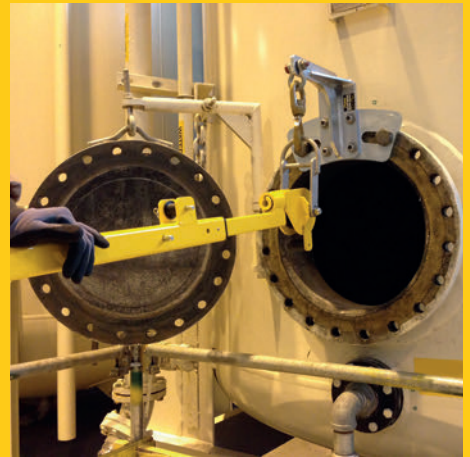


Confined Spaces Safety Solutions

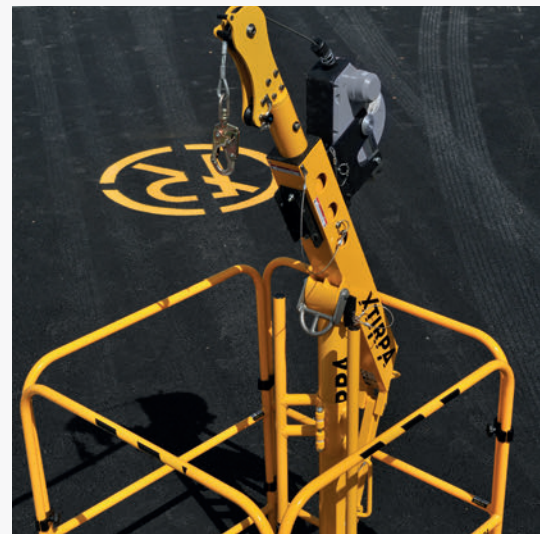
Xtirpa™ Systems. As simple as **advanced**.



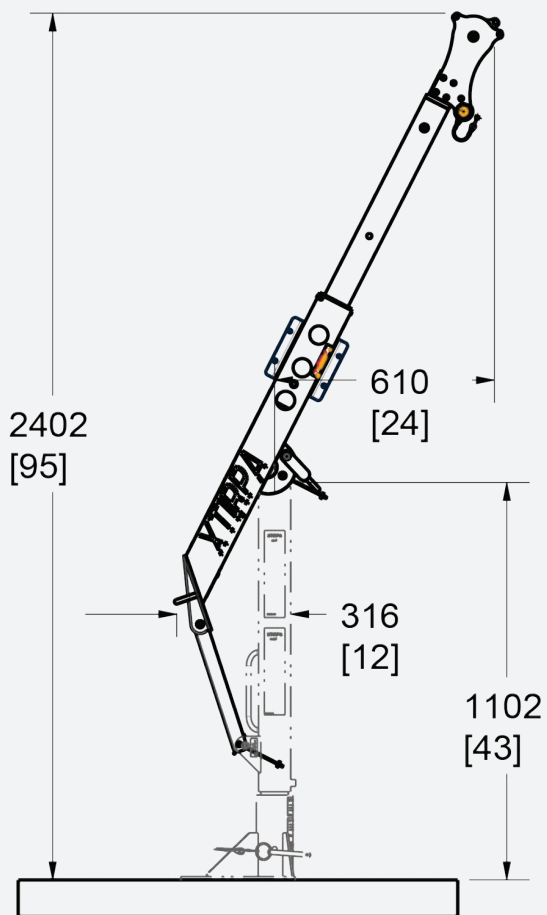
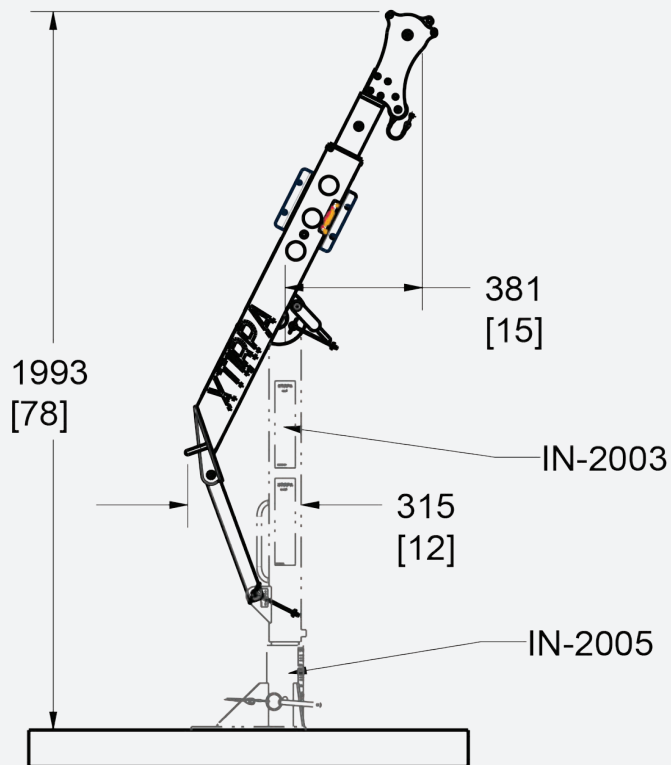
610, 1200 and 2400 mm davit arm



610 mm davit arm

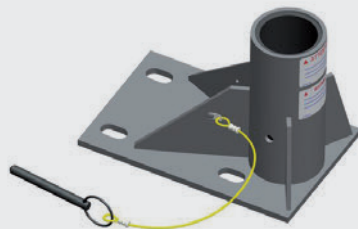


610 mm davit arm



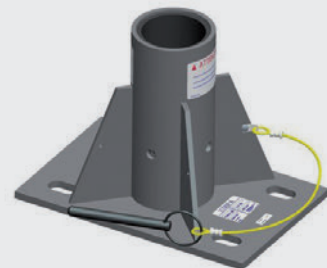
Art. **IN-2005**

Floor adapter base for concrete and steel.



Art. **IN-2105**

Central floor adapter for concrete and steel



Floor adapter

Art. **IN-2105**

Central floor adapter for concrete and steel.

To be used with mast art. **IN-2003** and davit arm art. **IN-2210**. Ideal for works in which a 360° manoeuvring space is required. Bolts not included.

Material: AISI 304 stainless steel Also available in stainless steel AISI 316 version (art. **IN-2329**).
Dimensions: 318 x 203 x 235 mm
Weight: 10 kg

Art. **IN-2005**

Flush floor adapter base for concrete and steel.

Used for mounting on flat surface edges. To be used with mast art. **IN-2003** and davit arm art. **IN-2210**. Bolts not included.

Material: AISI 304 stainless steel. Also available in stainless steel AISI 316 version (art. **IN-2311**).
Dimensions: 318x203x235mm
Weight: 10 kg

Art. **IN-2013**

Wall adapter base for
concrete and steel.



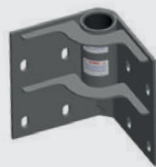
Art. **IN-2131**

Exterior corner wall
sleeve.



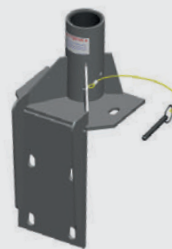
Art. **IN-2133**

Inside corner wall
sleeve.



Art. **IN-2117**

Concrete top wall
bracket.



Art. **IN-2124**

Protruding wall base.



Wall sleeve

Art. **IN-2124**

Protruding wall base.

Spaces out the mast from the wall by 20 cm to allow davit arm movement. Bolts not included. Also available with 35 mm distance (art. **IN-2067**).

Material: AISI 304 stainless steel.

Dim.: 368 x 254 x 406 mm
368 x 429 x 406 mm
(art. **IN-2067**).

Weight: 20 kg
28 kg (art. **IN-2067**).

Art. **IN-2117**

Concrete top wall bracket.

Used to mount mast art. IN-2003 and davit arm art. IN-2210 on the edge of concrete structures. Bolts not included.

Material: AISI 304 stainless steel

Dim: 305 x 203 x 591 mm
Weight: 16 kg

Art. **IN-2133**

Inside corner wall sleeve.

Used to mount mast art. IN-2003 on an internal 90° angle. Bolts not included.

Material: AISI 304 stainless steel

Dim: 304.8 x 304.8 x 355.6 mm
Weight: 17 kg

Art. **IN-2131**

Exterior corner wall sleeve.

Used to mount mast art. IN-2003 on an external 90° angle. Bolts not included.

Material: AISI 304 stainless steel

Dim: 203 x 203 x 406 mm
Weight: 17 kg

Art. **IN-2013**

Wall adapter base for concrete and steel.

Material: AISI 304 stainless steel. Also available in stainless steel AISI 316 version (art. **IN-2327**).

Min. concrete thickness of 152 mm.

Dim.: 111 x 229 x 406 mm
Weight: 13 kg

Art. **IN-2097**

Mast sleeve adapter base.



Art. **IN-2006**

Flush floor adapter base for concrete and steel.



Art. **IN-2007**

Cast-in-place concrete floor adapter base.



Mast sleeve adapter base

Art. **IN-2007**

Cast-in-place concrete floor adapter base.

Used to minimize tripping possibility when the base is not in use. To be used with mast art. **IN-2003** and davit arm art. **IN-2210**. Bolts not included.

Material: AISI 304 stainless steel. Available in stainless steel AISI 316 version upon request.

Dimensions: 305 x 305 x 238 mm
Min. concrete thickness of 165 mm.
Weight: 12 kg

Art. **IN-2006**

Flush floor adapter base for concrete and steel.

Used for mast art. **IN-2003** when concrete thickness is not sufficient for mounting the device. Bolts not included.

Material: AISI 304 stainless steel. Also available in AISI 316 stainless steel (art. IN-2325)

Dimensions: 305 x 305 x 238 mm
Min. concrete thickness of 152 mm.
Weight: 10 kg

Art. **IN-2097**

Mast sleeve adapter base.

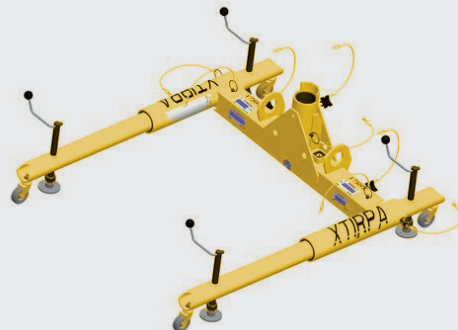
To be used with mast art. **IN-2003** and davit arm art. **IN-2210**. A \varnothing 105 mm hole is necessary for mounting.

Material: AISI 304 stainless steel. Also available in AISI 316 stainless steel upon request.

Dimensions: \varnothing 102 x 232 mm
Weight: 4 kg

Art. **IN-2118**

Portable H-base.



H-Base

Art. **IN-2118**

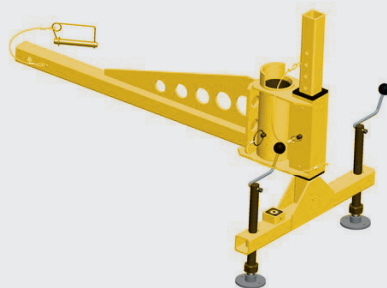
Portable H-base.

To be used with mast art. IN-2003 and davit arm art. **IN-2210**.

Material: Aluminium
Dimensions: 1092-1575 x 1321 x 463-558 mm
Weight: 39 kg
Maximum working capacity: 163 kg

Art. **IN-2126**

610 mm stabilizer.



Art. **IN-2204**

1500 mm stabilizer.



Art. **IN-2204**

1500 mm stabilizer.

Used to mount mast art. **IN-2003** and davit arm art. **IN-2210**. Equipped with screw-in stabilizer feet to simplify levelling. Recommended if a stretcher is needed.

Material: Aluminium
Dimensions: 1083 x 1521 x 727-894 mm
Weight: 20 kg

Art. **IN-2126**

610 mm stabilizer.

Used to mount mast art. **IN-2003** and davit arm art. **IN-2210**. Equipped with screw-in stabilizer feet to simplify levelling.

Material: Aluminium
Dimensions: 610 x 1083 x 727-894 mm
Weight: 15 kg

Art. **IN-2003**

Mast.



Manhole collar.



Supports

Manhole collar

Art. **IN-2003**

Mast.

To be used with davit arm art. **IN-2210** and a suitable adapter.

Material: aluminium
Dimensions: ø76 x 1145 mm
Weight: 10 kg

Manhole collar.

Material: Aluminium
Diameter: From 400 to 1118 mm
Weight: From 14 to 36 kg

Art. **IN-2210**

610 mm davit arm.



610 mm davit arm

Art. **IN-2108**

Base with manhole guard.



Self Supporting
manhole guard

610 mm davit arm

Art. **IN-2210**

610 mm davit arm.

Equipped with retractable system and winch bracket to ease access in confined spaces. To be used with mast art. **IN-2003** and an appropriate base or with self-supporting manhole guard art. **IN-2108**. Extensible from 1431 to 1884 mm. Equipped with a 22kN anchor point.

Material: Aluminium
Dimensions: 1431-1884 x 148 x 252 mm
Weight: 15 kg

Self Supporting
manhole guard

Art. **IN-2108**

Base with manhole guard.

Used in combination with davit arm **IN-2210**.

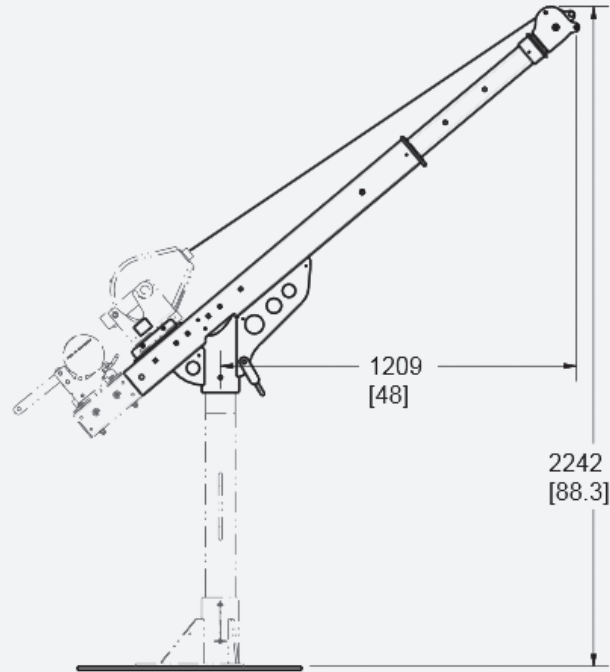
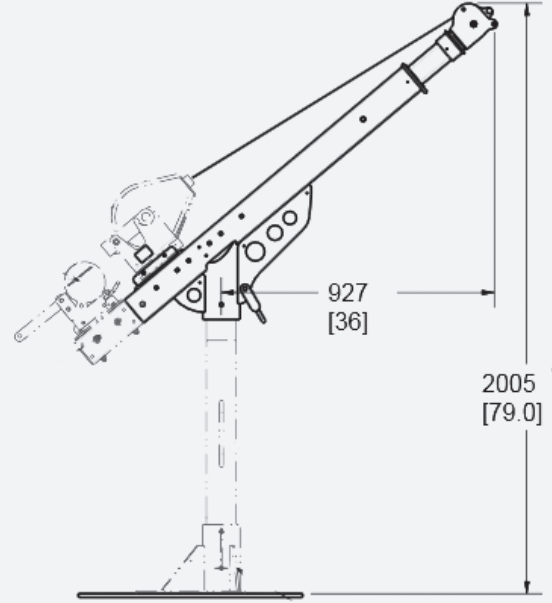
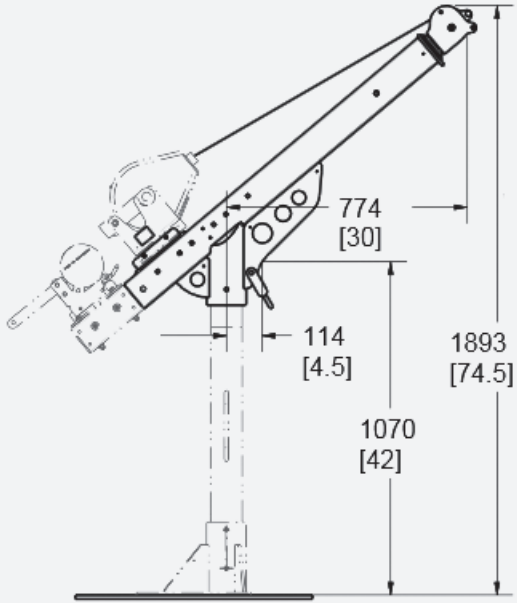
Material: Aluminium
Dimensions: 947 x 992 x 1133 mm
Weight: 15 kg



1200 mm davit arm



1200 mm davit arm



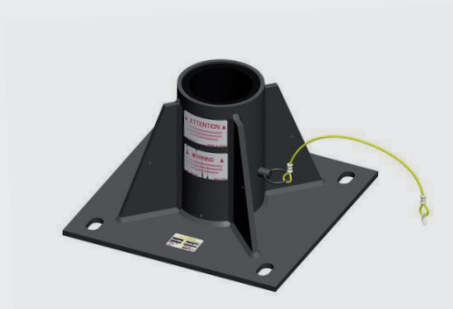
Art. **IN-2238**

Floor adapter base for concrete and steel.



Art. **IN-2254**

Central floor adapter base.



Floor adapter

Art. **IN-2254**

Central floor adapter base.

Used with mast art. **IN-2240** and davit arm art. **IN-2237**. Ideal for works in which a 360° manoeuvring space is required. Bolts not included.

Material: AISI 304 stainless steel
Dimensions: 381 x 381 x 235 mm
Weight: 27 kg

Art. **IN-2238**

Floor adapter base for concrete and steel.

Used with mast support art. **IN-2240** or **IN-2313** and davit arm art. **IN-2237**. Bolts not included.

Material: AISI 304 stainless steel
Dimensions: 254 x 368 x 235 mm
Weight: 15 kg

Art. **IN-2253**

Wall adapter base for concrete and steel.



Wall sleeve

Art. **IN-2253**

Wall adapter base for concrete and steel.

Used with mast art. **IN-2240** or art. **IN-2313** and davit arm art. **IN-2237**. Bolts not included.

Material: AISI 304 stainless steel
Dimensions: 280 x 188 x 508 mm
Weight: 20 kg

Art. **IN-2255**
Mast sleeve adapter.



Art. **IN-2266**
Flush floor adapter base.



Mast sleeve adapter base

Art. **IN-2266**

Flush floor adapter base.

Used for mast art. **IN-2240** or art. **IN-2313** and davit arm art. **IN-2237** when concrete thickness is not sufficient for mounting the device. Bolts not included.

Material: AISI 304 stainless steel
Minimum thickness for sandwich installation type: 152,4 mm
Dimensions: 381 x 381 x 238 mm
Weight: 15 kg

Art. **IN-2255**

Mast sleeve adapter.

Used for mast art. **IN-2240** or art. **IN-2313** and davit arm art. **IN-2237**. A \varnothing 14.61 cm hole is necessary for installation.

Material: AISI 304 stainless steel
Dimensions: \varnothing 141 x 232 mm
Weight: 5 kg

Art. **IN-2237**

1200 mm davit arm.



Art. **IN-2240**

Mast (h. 1067 mm)



Art. **IN-2313**

Mast (h. 1521 mm)



Counter-weight.



1200 mm davit arm

Supports

Counter-weight

1200 mm davit arm

Art. **IN-2237**

1200 mm davit arm.

Equipped with retractable system and winch bracket to ease access in confined spaces. To be used with mast art. **IN-2240**. Extensible form 1422 to 1965 mm. Equipped with a 22kN anchor point. Optional winch attachment (art. **A2237-06**).

Material: Aluminium
Dimensions: 1422-1965 x 165 x 977-1326 mm
Weight: 23 kg

Supports

Art. **IN-2313**

Mast (h. 1521 mm)

To be used with davit arm art. **IN-2237** and corresponding bases or with a counter-weight system.

Material: Aluminium
Dimensions: ø102 x 1521 mm
Weight: 15 kg

Art. **IN-2240**

Mast (h. 1067 mm)

To be used with davit arm art. **IN-2237** and corresponding bases or with a counter-weight system.

Material: Aluminium
Dimensions: ø102 x 1067 mm.
Weight: 10 kg

Counter-weight

Counter-weight.

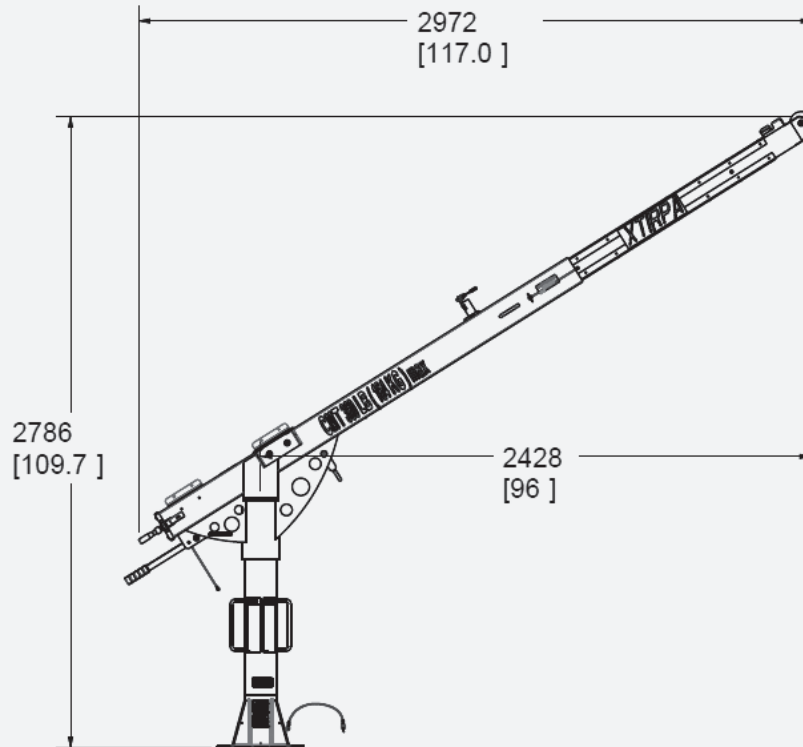
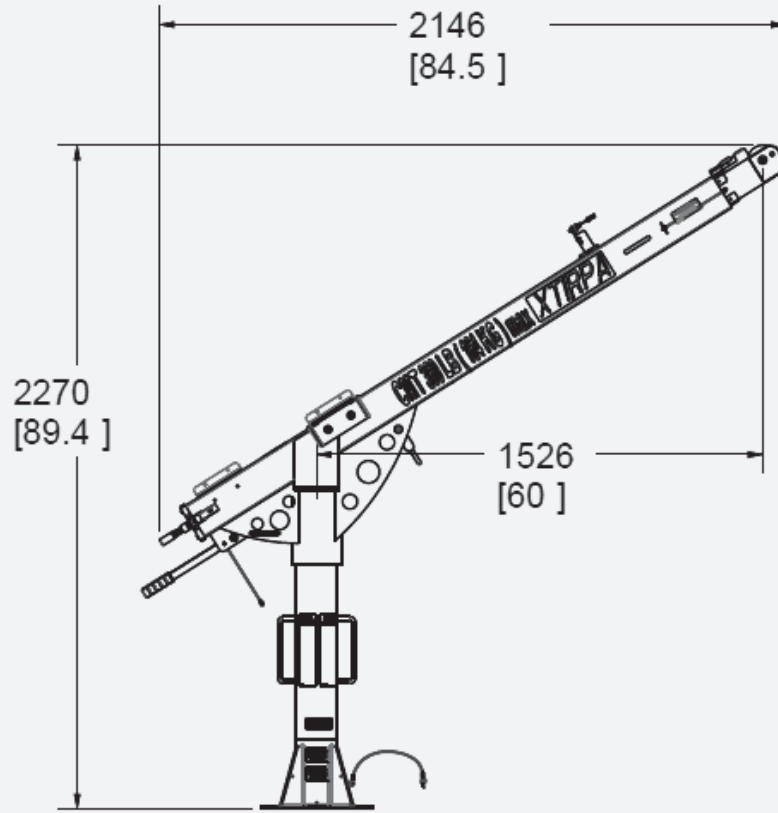
Composed by:
No. 1 art. IN-2305 (T-Base)
No. 1 art. A2305-40
(Connection extension for counter-weight)
No. 1 art. A2305-27
(Portable base for counter-weight.)
No. 40 art. P2305-016n
(23 kg counter-weight plates.)



2400 mm davit arm



2400 mm davit arm



Art. **IN-2201**

Central ground base.



Floor adapter

Art. **IN-2201**

Central ground base.

Used to mount mast art. **IN-2199** and davit arm art. **IN-2197**. Bolts not included.

Material: AISI 304 stainless steel
Minimum thickness for sandwich installation type: 152 mm
Dimensions: 432 x 432 x 286 mm
Weight: 29 kg

Art. **IN-2197**

Davit arm.



2400 mm davit arm

Art. **IN-2199**

Mast.



Supports

Art. **IN-2200**

Mast sleeve adapter base.



Mast sleeve adapter base

2400 mm davit arm

Supports

Mast sleeve adapter base

Art. **IN-2197**

Davit arm.

Equipped with retractable system and winch bracket to ease access in confined spaces. To be used with mast art. **IN-2199** and an appropriate base. Extensible from 2493 to 3497 mm. Equipped with a 22kN anchor point.

Material: Aluminium
Dimensions: 2493-3497 x 260 x 562 mm
Weight: 57 kg

Art. **IN-2199**

Mast.

To be used with davit arm art. **IN-2197** and base art. **IN-2201**.

Material: aluminium
Dimensions: ø140 x 1067 mm
Weight: 16 kg

Art. **IN-2200**

Mast sleeve adapter base.

To be used with mast art. **IN-2199** and davit arm art. **IN-2197**. A ø 187 mm hole is necessary for mounting. **Bolts not included.**

Material: AISI 304 stainless steel
Minimum concrete thickness: 327 mm
Dimensions: **ø168,3 x 282,6 mm**
Weight: 9 kg



Genesi Italia S.p.A.

Via Donizetti, 109/111
24030 Brembate di Sopra
Bergamo - Italy

T. +39 035 0332049
info@genesibesafe.com



genesibesafe.com